

1 2 3 4 5 6 7 8

IDEAS GENERATED DRAWING. DON'T CHANGE BY HAND.
9.40±0.20

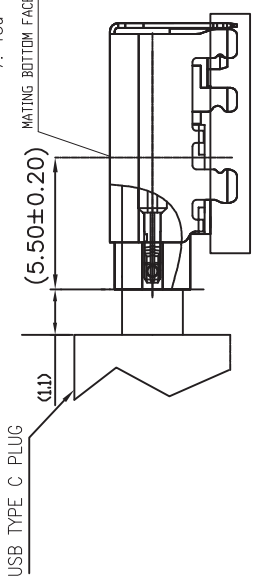
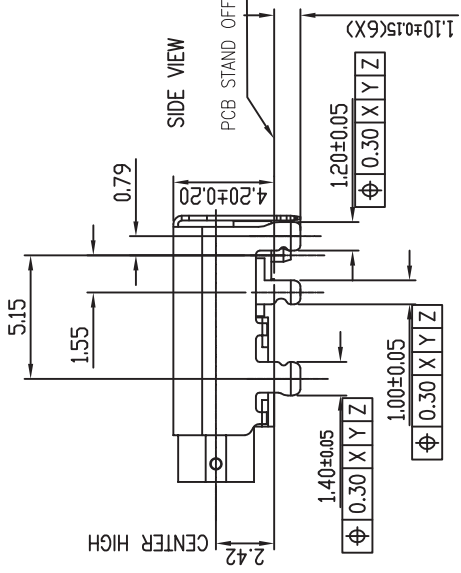
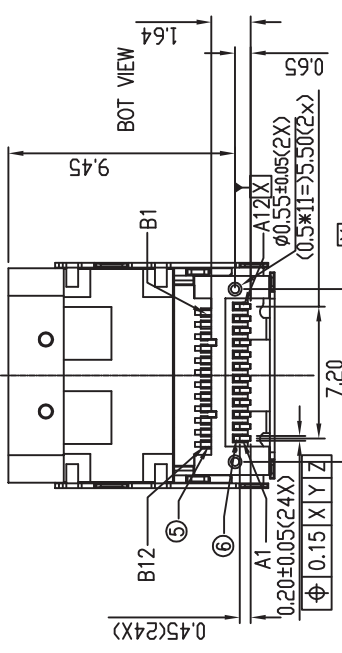
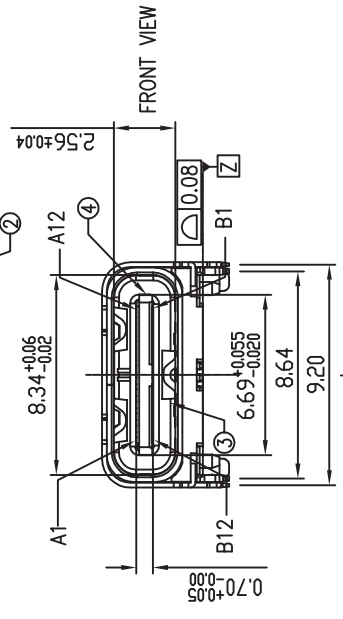
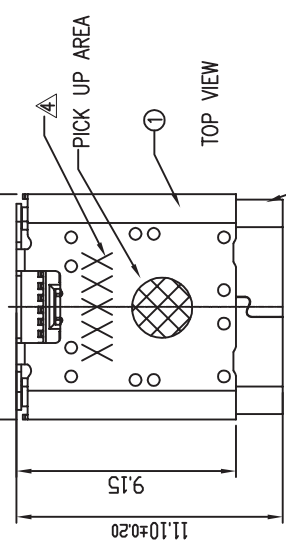


TABLE 1

FINISH	PLATING THICKNESS
CONTACT ARER Au OVER NICKEL	NICKEL: 2.0~3.75um. Au: 0.75 um Min.
SOLDER TALES AU OVER NICKEL	NICKEL: 1.25~3.75um. Au: 0.025 um Min.

ITEM	DESCRIPTION	Q'TY	MATERIAL	FINISH	REMARKS
⑥	TOP CONTACT	12	COPPER ALLOY		
⑤	BOTTOM CONTACT	12	COPPER ALLOY		
④	SHIELDING PLATE	1	STAINLESS STEEL	WASHING	PLATING THICKNESS: 1um Min.
③	1/4M	1	HEAT RESISTING PLASTIC	COLOR: BLACK	HALOGEN-FREE
②	MAIN SHELL	1	STAINLESS STEEL	NICKEL PLATING	PLATING THICKNESS: 0.5um Min.
①	TOP SHELL	1	STAINLESS STEEL	NICKEL PLATING	PLATING THICKNESS: 0.5um Min.

NOTE: UNLESS OTHERWISE SPECIFIED
1. DIMENSIONS SHALL BE INTERPRETED PER ASME Y14.5M-2009.
2. ELECTRICAL CHARACTERISTIC:
2-1. CONTACT CURRENT RATING:
VBUS AND GND CONTACTS RATED AT 1.25A EA.,
PARALLELED FOR A TOTAL OF 5A.
2-2. LOW LEVEL CONTACT RESISTANCE:
40mOhms MAX. FOR VBUS, GND AND OTHER CONTACTS.
50mOhms MAX. AFTER ENVIRONMENT TEST.
3. MECHANICAL CHARACTERISTICS:
3-1. INSERTION FORCE: 5~20N.
3-2. EXTRACTION FORCE: 8~20N.
3-3. DURABILITY: 10,000 MATING CYCLES.
3-4. OPERATING TEMPERATURE: -55°C TO +85°C.
4. PLEASE CONTACT FOXCONN SALES REPRESENTATIVE TO
VERIFY PRODUCT DETAILS & AVAILABILITY.
5. PRODUCT NO. MATRIX :

- UT 1 2 1 1 3 - 1 24 0H - 7 H
- CONTACT DESIGN
- 1: RECEPTACLE
- TERMINATION TYPE
- 2: RIGHT ANGLE, SMT
- POSITIONS
- 1: 24POS
- CONFIGURATION
- 1: SINGLE, ON BOARD
- CONTACT AREA PLATING
- 3: 30u" GOLD
- 7: 15u" GOLD

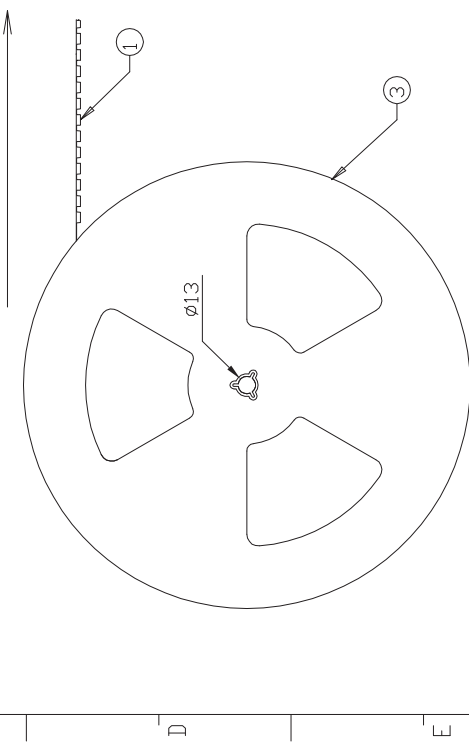
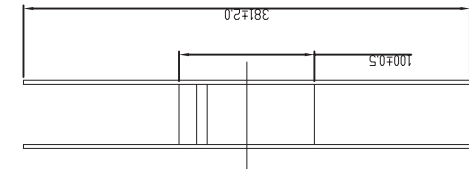
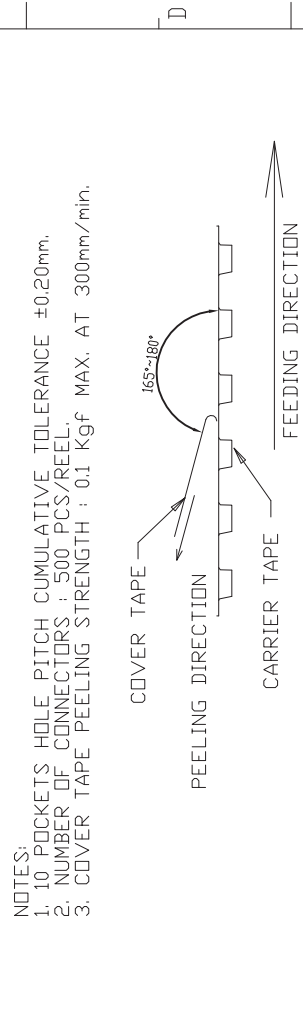
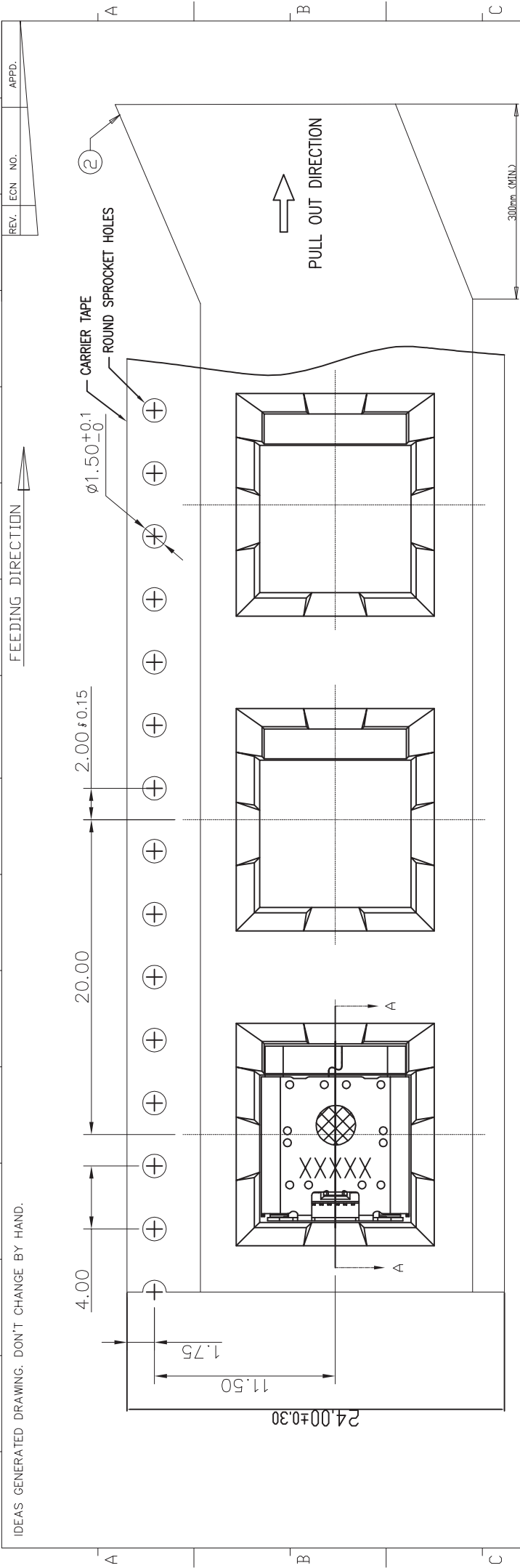
- RoHS & HF CODE
- H : HALOGEN FREE
- PACKAGE CODE:
- 7: TAPE & REEL
- EXTENSION CODE
- CENTER HEIGHT
- HOUSING COLOR
- 1: BLACK

PIN	SIGNAL NAME	PIN	SIGNAL NAME
A1	GND	B12	GND
A2	SSTXp1	B11	SSRXp1
A3	SSTXn1	B10	SSRXn1
A4	VBUS	B9	VBUS
A5	CC1	B8	SBU2
A6	Dp1	B7	Dn2
A7	Dn1	B6	Dp2
A8	SBU1	B5	CC2
A9	VBUS	B4	VBUS
A10	SSRXn2	B3	SSTXn2
A11	SSRXp2	B2	SSTXp2
A12	GND	B1	GND



NAME (INTENDED USE)	FOXCONN INTERCONNECT TECHNOLOGY LIMITED.
USB REC. ASSEMBLY DRAWING	CLASS: <input type="checkbox"/> CONFIDENTIAL <input type="checkbox"/> SECRET <input checked="" type="checkbox"/> GENERAL
PART NO. (INTENDED USE)	TITLE: CUSTOMER DRAWING (TYPE-C CH2.42)
UT12113-1240H-7H	DWG NO.: 327-0000-3928
APPD: Nick Lin	CHKD: Bill He
DRAW: Bob Yu 11/19/19	SCALE SHEET REV. 1:1 1/3 A

IDEAS GENERATED DRAWING. DON'T CHANGE BY HAND.



NOTES:
 1. 10 POCKETS HOLE PITCH CUMULATIVE TOLERANCE ±0.20mm.
 2. NUMBER OF CONNECTORS : 500 PCS/REEL.
 3. COVER TAPE PEELING STRENGTH : 0.1 KgF MAX. AT 300mm/min.

③	REEL	POLYSTYRENE
②	COVER TAPE	POLYESTER
①	CARRIER TAPE	POLYSTYRENE
ITEM	DESCRIPTION	MATERIAL

X.± 0.30	X.±	UNITS	mm	NAME(NTENDED USE)	FOXCONN INTERCONNECT TECHNOLOGY LIMITED.
.X± 0.25	.X±	MAT'L		USB REC. ASSEMBLY DRAWING	
.XX± 0.15	.XX±			PART NO.(NTENDED USE)	CLASS: <input type="checkbox"/> CONFIDENTIAL <input type="checkbox"/> SECRET <input checked="" type="checkbox"/> GENERAL
.XXX±0.10	.XXX±	FINISH		UT12113-1240H-7H	TITLE: CUSTOMER DRAWING(TYPE-C CH2.42)
THESE DRAWINGS AND SPECIFICATIONS ARE THE PROPERTY OF FOXCONN INTERCONNECT TECHNOLOGY LIMITED. NO PARTS OR INFORMATION REPRODUCED, COPIED OR USED IN ANY MANNER WITHOUT THE PRIOR WRITTEN CONSENT OF FOXCONN INTERCONNECT TECHNOLOGY LIMITED.				APPD:	Nick Lin
				CHKD:	Bill He
				DRAW:	Bob Yu 11/19/19
				DWG NO.:	327-0000-3928
				SCALE	SHEET 3/3
				REV.	A