

REV. ECN NO.	APPD.
A 16-0046193	Dickie Huang
B 18-005036	Dickie Huang
C 20-0034374	Dickie Huang

NOTE: UNLESS OTHERWISE SPECIFIED
 1. DIMENSIONS SHALL BE INTERPRETED PER ASME Y14.5M-2009.
 2. ELECTRICAL CHARACTERISTIC:
 2-1. CONTACT CURRENT RATING:
 5A CAN BE APPLIED COLLECTIVELY TO VBUS PINS (E., PINS A4,A9,B4 AND B9) AND CORRESPONDING GND PINS (E., PINS A1,A12,B1,B12). AND 0.25A MIN. CAN APPLIED INDIVIDUALLY TO ALL THE OTHER CONTACTS AS APPLICABLE.
 2-2. LOW LEVEL CONTACT RESISTANCE:
 40mOhms MAX. FOR VBUS, GND AND OTHER CONTACTS.
 50mOhms MAX. AFTER ENVIRONMENT TEST.
 3. MECHANICAL CHARACTERISTICS:
 3-1. INSERTION FORCE: 8~20N, AND 6~20N AFTER DURABILITY;
 3-2. EXTRACTION FORCE: 10,000 MATING CYCLES.
 3-3. DURABILITY: 10,000 MATING CYCLES.
 3-4. OPERATING TEMPERATURE: -55°C TO +85°C.

THE DATE CODE IS LOCATED APPROXIMATELY AS SHOWN.
 5. PLEASE CONTACT FOXCONN SALES REPRESENTATIVE TO VERIFY PRODUCT DETAILS & AVAILABILITY.
 6. PRODUCT NO. MATRIX:
 UT 1 2 3 - 1 0 5 0 H - 7 H
 UT: USB TYPE C CONN.
 CONTACT DESIGN
 1: RECEPTACLE
 TERMINATION TYPE
 2: RIGHT ANGLE SMT
 POSITIONS
 1: 24POS
 CONFIGURATION
 2: SINGLE, MID-MOUNT
 CONTACT AREA PLATING
 1: GOLD FLASH

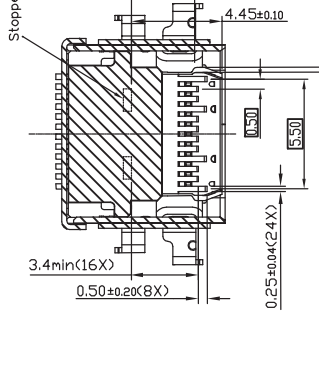
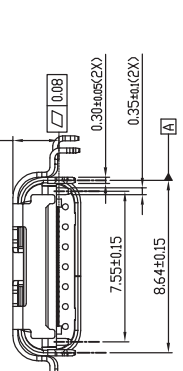
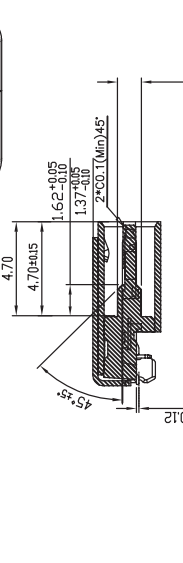
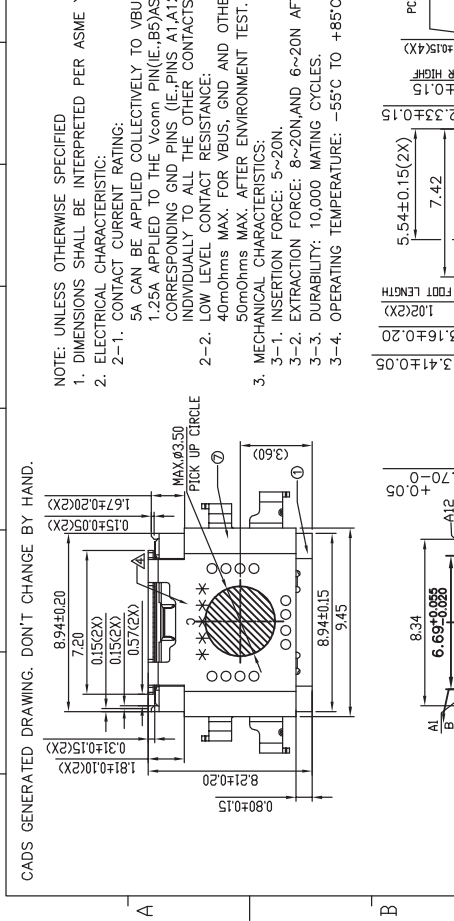
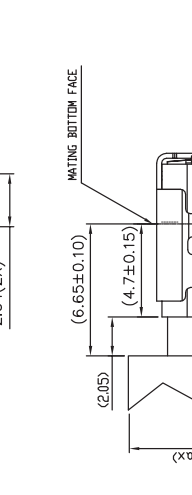


TABLE 1

CONTACT AREA	FINISH	PLATING THICKNESS
Au OVER NICKEL	STAINLESS STEEL COPPER ALLOY	NICKEL: 80u" Min. Au: 30u" Min.
SOLDER TAILS	Motte Au OVER NICKEL	NICKEL: 50u" Min. Au: GOLD FLASH 1 U" Min.

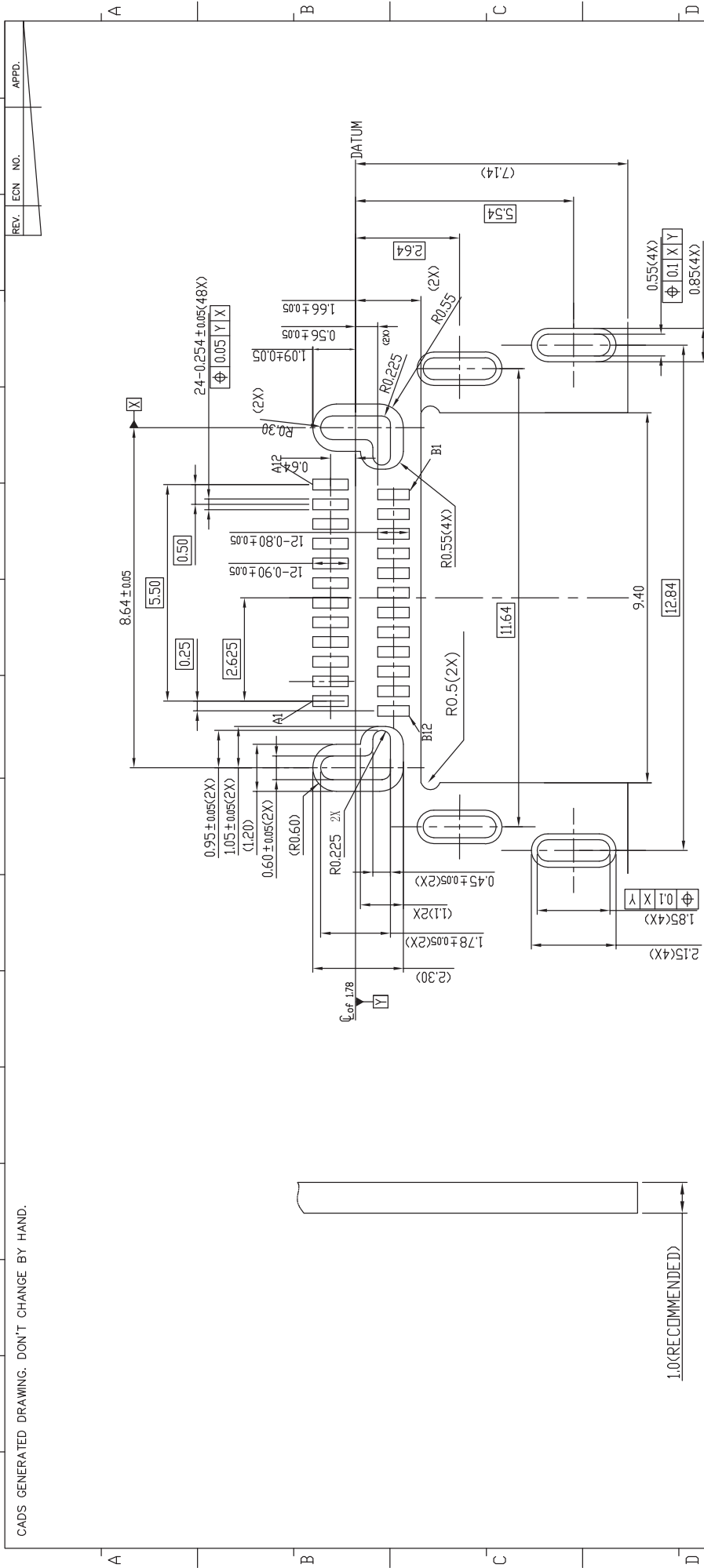
ITEM	DESCRIPTION	Q'TY	MATERIAL	FINISH	PLATING THICKNESS: 0.5um Min.	REMARKS
⑦	TOP SHELL	1	STAINLESS STEEL	NICKEL PLATING	PLATING THICKNESS: 0.5um Min.	UT12123-1050H-7H
⑧	TOP CONTACT	12	COPPER ALLOY			
⑤	BOTTOM CONTACT	12	COPPER ALLOY			
④	SHIELDING PLATE	1	STAINLESS STEEL	NICKEL PLATING	PLATING THICKNESS: 1um Min. HALOGEN-FREE	
③	LAST I/M	1	HEAT RESISTING PLASTIC	COLOR: BLACK HALOGEN-FREE		
②	FIRST I/M	1	GLASS FILLED LCP	COLOR: BLACK HALOGEN-FREE		
①	MAIN SHELL	1	STAINLESS STEEL	NICKEL PLATING	PLATING THICKNESS: 0.05um Min.	



PIN	SIGNAL NAME	PIN	SIGNAL NAME
A12	GND	B1	GND
A11	SSRxp2	B2	SSTxp2
A10	SSRXn2	B3	SSTXn2
A9	VBUS	B4	VBUS
A8	SBU1	B5	CC2
A7	Dn1	B6	Dp2
A6	Dp1	B7	Dn2
A5	CC1	B8	SBU2
A4	VBUS	B9	VBUS
A3	SSTXn1	B10	SSRXp1
A2	SSTXp1	B11	SSRXn1
A1	GND	B12	GND

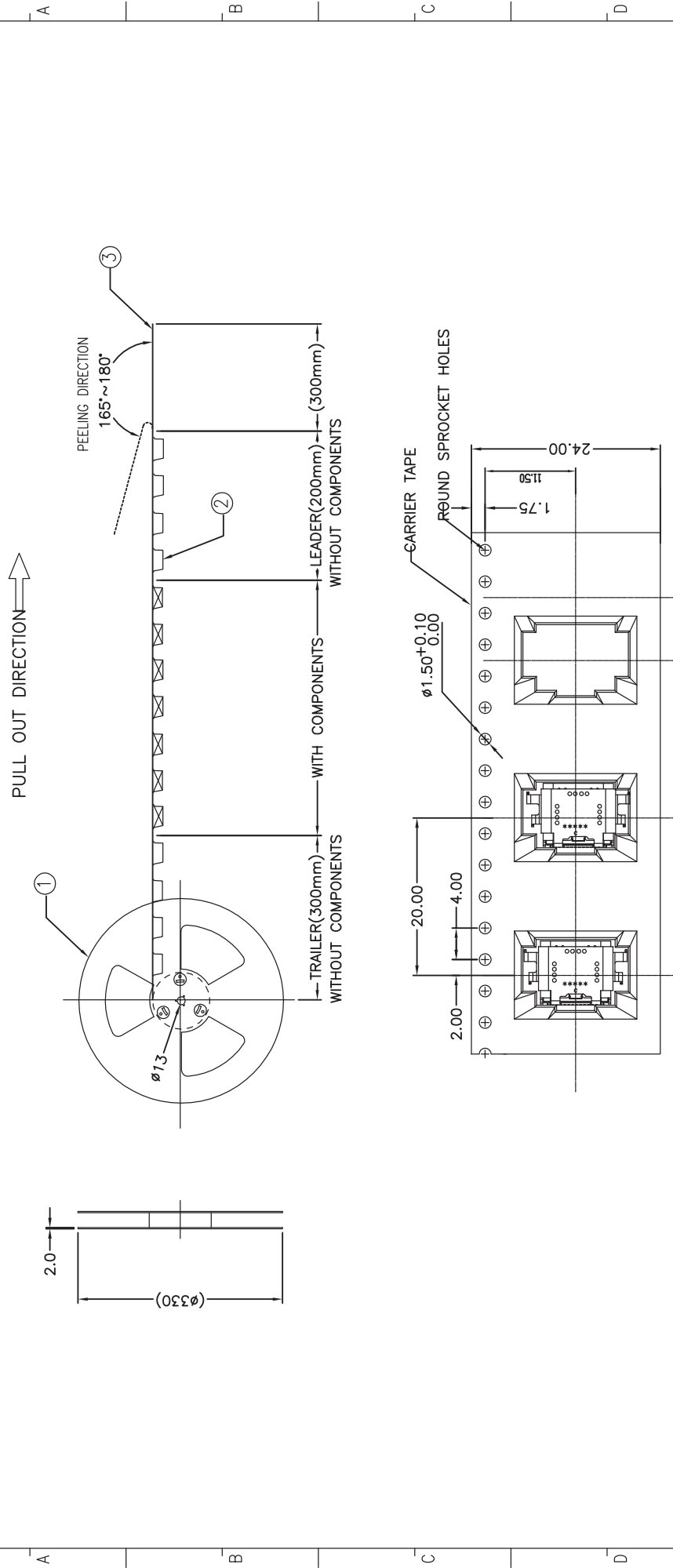
NAME (INTENDED USE)	FOXCONN INTERCONNECT TECHNOLOGY LIMITED.
USB TYPE C DUAL ROW SMT CH=0.5mm	
PART NO. (INTENDED USE)	UT12123-1050H-7H
CLASS:	CONFIDENTIAL □ SECRET ■ GENERAL
TITLE:	CUSTOMER DRAWING (TYPE-C CH0.5) C2
DWG NO.:	327-0000-3436
CHKD:	Bill Her, Phil Zeng
DRAW:	Feng Tian, Zhai 12/09/20
SCALE	1:1
SHEET	1/3
REV.	C

CADS GENERATED DRAWING. DON'T CHANGE BY HAND.



RECOMMENDED PCB LAYOUT (TOP VIEW)
TOLERANCE: ±0.05mm

X:± 0.30		X:± 5'	UNITS	mm	NAME(INTENDED USE)		FOXCONN INTERCONNECT TECHNOLOGY LIMITED.		
.X:± 0.25		.X:± 2'	MATL		USB TYPE C DUAL ROW SMT CH=0.5mm		CLASS: <input type="checkbox"/> CONFIDENTIAL <input type="checkbox"/> SECRET <input checked="" type="checkbox"/> GENERAL		
.XX± 0.15		.XX± 1'	FINISH		PART NO.(INTENDED USE)		TITLE: CUSTOMER DRAWING(TYPE-C CH0.5)C2		
.XXX± 0.10		.XXX±	Q'TY		APPD: Dickie Huang		DWG NO.: 327-0000-34.36		
<p>THESE DRAWINGS AND SPECIFICATIONS ARE THE PROPERTY OF FOXCONN INTERCONNECT TECHNOLOGY LIMITED AND SHALL NOT BE REPRODUCED, COPIED, OR USED IN ANY MANNER WITHOUT THE EXPRESS WRITTEN CONSENT OF FOXCONN INTERCONNECT TECHNOLOGY LIMITED.</p>		CHKD: Bill Her, Phil Zeng		SCALE		SHEET		REV.	
		DRAW: Feng Tian Zhai 12/09/20		1:1		2/3		C	



- NOTES:
- 10 POCKETS HOLE PITCH CUMULATIVE TOLERANCE: ± 0.20 mm.
 - NUMBER OF CONNECTORS: 800 PCS/REEL, 4000PCS/CARTON.
 - COVER TAPE PEELING STRENGTH: 0.1kgf MAX. AT 300mm/min.

③	COVER TAPE	POLYSTYRENE
②	COVER TAPE	POLYESTER
①	REEL	POLYSTYRENE
ITEM	DESCRIPTION	MATERIAL

X.± 0.30	X.± 5'	UNITS	mm	NAME(INTENDED USE) PACKAGE DRAWING	FOXCONN INTERCONNECT TECHNOLOGY LIMITED.
	X.± 0.25	.X'± 2'	MAT'L		
.XX± 0.15	.XX± 1'	FINISH	UT12123-1050H-7H	CLASS: <input type="checkbox"/> CONFIDENTIAL <input type="checkbox"/> SECRET <input checked="" type="checkbox"/> GENERAL	
.XXX± 0.10	.XXX±	THESE DRAWINGS AND SPECIFICATIONS ARE THE PROPERTY OF FOXCONN INTERCONNECT TECHNOLOGY LIMITED AND SHALL NOT BE REPRODUCED, COPIED OR USED IN ANY MANNER WITHOUT THE PRIOR WRITTEN CONSENT OF FOXCONN INTERCONNECT TECHNOLOGY LTD.	APPD: Dickie Huang	TITLE: CUSTOMER DRAWING(TYPE-C CH1.60)C2	
QTY			CHKD: Bill Her, Phil Zeng	DWG NO.: 327-0000-3436	
DRAW: Feng Tian Zhai 12/09/20			SCALE	SHEET	REV.
			1:1	3/3	C