

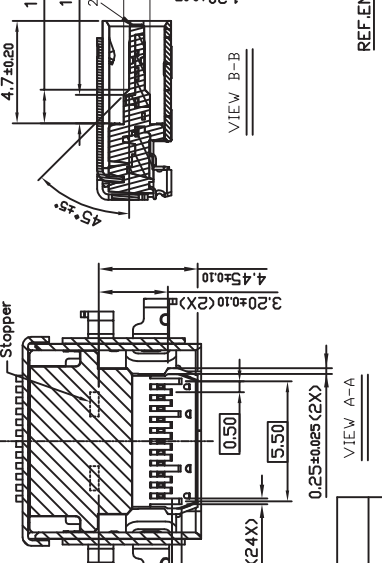
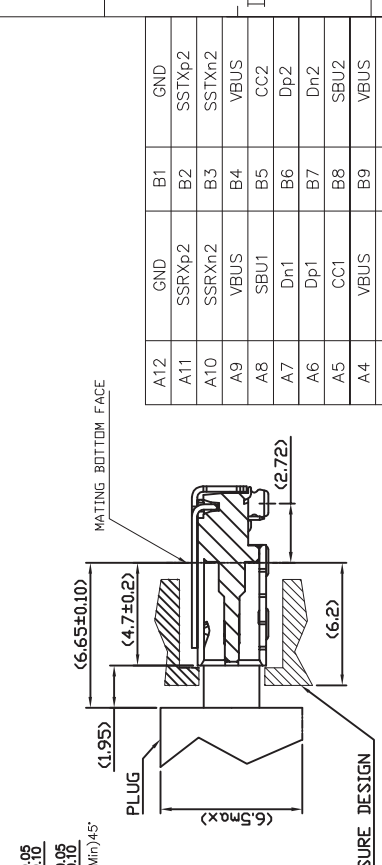
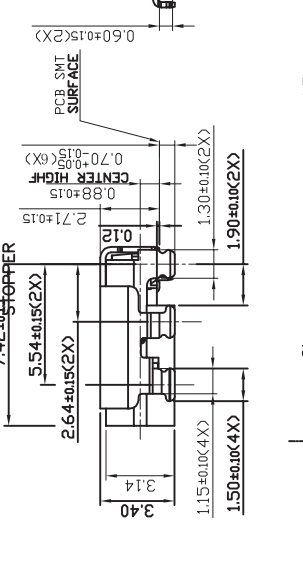
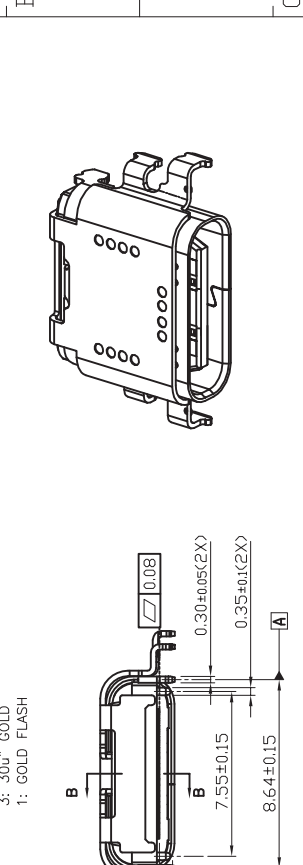
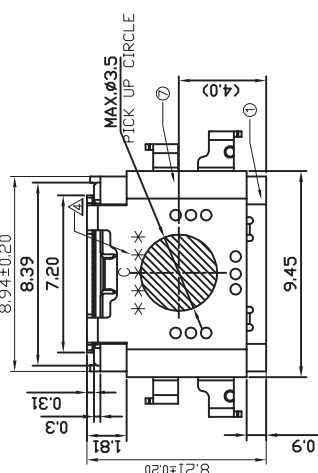
REV.	ECN NO.	APPD.
A	BC-20-0002335	Dickie Huang

UT: USB TYPE C CONN. - 1 09 0 H - 7 H
CONTACT DESIGN
1: RECEPTACLE
2: RIGHT ANGLE SMT
POSITIONS
1: 24POS
2: SINGLE, MID-MOUNT
CONFIGURATION
CONTACT AREA PLATING
3: 30u" GOLD
1: GOLD FLASH

NOTE: UNLESS OTHERWISE SPECIFIED
1. DIMENSIONS SHALL BE INTERPRETED PER ASME Y14.5M-2009.
2. ELECTRICAL CHARACTERISTIC:
2-1. CONTACT CURRENT RATING:
VBUS AND GND CONTACTS RATED AT 1.25A EA.,
PARALLELED FOR A TOTAL OF 5A.
2-2. LOW LEVEL CONTACT RESISTANCE:
40mOhms MAX. FOR VBUS, GND AND OTHER CONTACTS.
50mOhms MAX. AFTER ENVIRONMENT TEST.
3. MECHANICAL CHARACTERISTICS:
3-1. INSERTION FORCE: 5~20N.
3-2. EXTRACTION FORCE: INITIAL 14N Min & 20N Max AFTER
200 MATING CYCLES, AND 8~20N AFTER DURABILITY;
3-3. DURABILITY: 10,000 MATING CYCLES.
3-4. OPERATING TEMPERATURE: -55°C TO +85°C.

THE DATE CODE IS LOCATED APPROXIMATELY AS SHOWN.
5. PLEASE CONTACT FOXCONN SALES REPRESENTATIVE TO
VERIFY PRODUCT DETAILS & AVAILABILITY.
6. PRODUCT NO. MATRIX :

ROHS & HF CODE
H: HALOGEN FREE
PACKAGE CODE:
7: TAPE & REEL
EXTENSION CODE
CENTER HEIGHT
HOUSING COLOR
1: BLACK



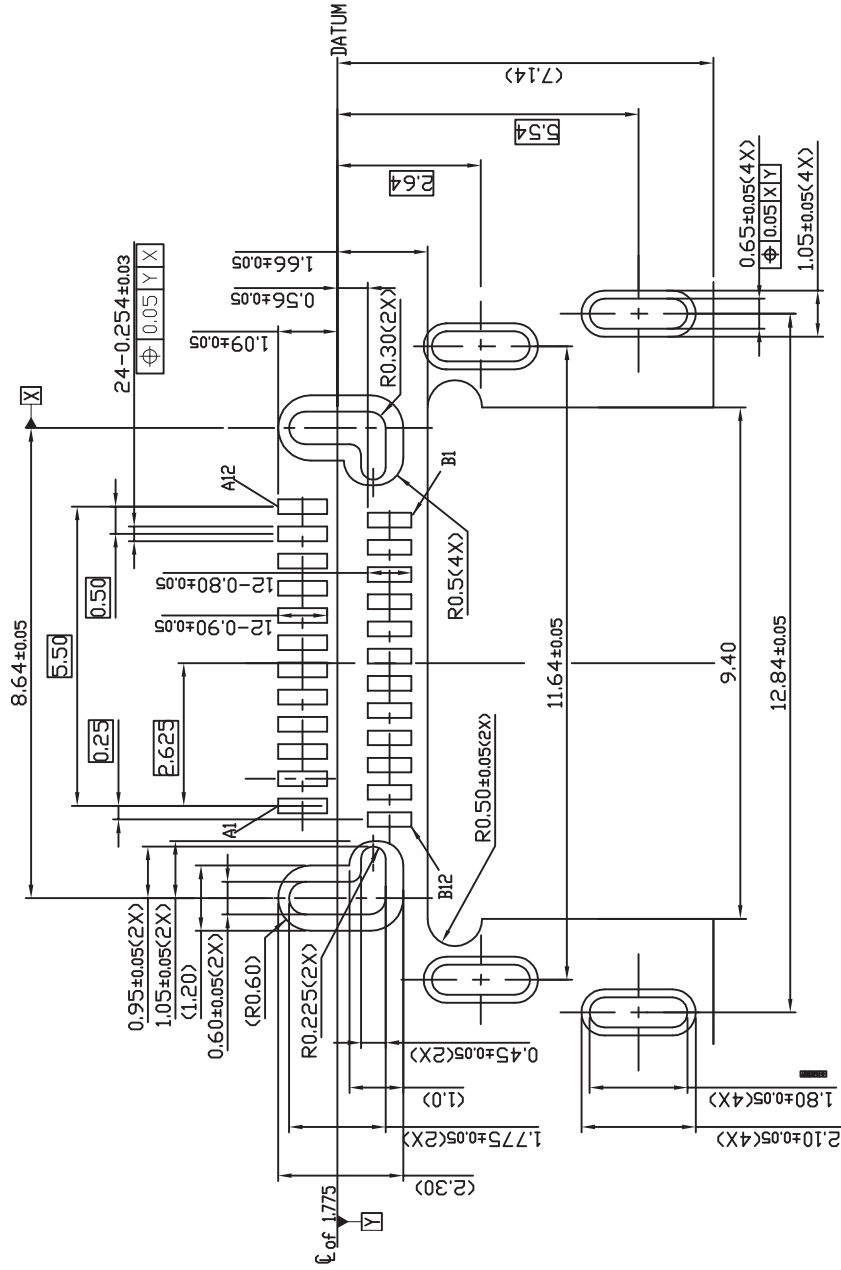
A12	GND	B1	GND
A11	SSRXp2	B2	SSTXp2
A10	SSRXn2	B3	SSTXn2
A9	VBUS	B4	VBUS
A8	SBU1	B5	CC2
A7	Dn1	B6	Dp2
A6	Dp1	B7	Dn2
A5	CC1	B8	SBU2
A4	VBUS	B9	VBUS
A3	SSTXn1	B10	SSRXn1
A2	SSTXp1	B11	SSRXp1
A1	GND	B12	GND
PIN	SIGNAL NAME	PIN	SIGNAL NAME

NAME (INTENDED USE)	
USB TYPE C DUAL SMT	CH=0.9mm
PART NO. (INTENDED USE)	
UT12123-1090H-7H	
FINISH	
PLATING THICKNESS: 0.5um Min.	
REMARKS	

X ± 0.30	X ± 5°	UNITS	mm
X ± 0.25	X ± 2°	MAT'L	
.XX ± 0.15	.XX ± 1°	FINISH	
.XXX ± 0.10	.XXX ±	Q'TY	

ITEM	DESCRIPTION	Q'TY	MATERIAL	FINISH	REMARKS
7	TOP SHELL	1	STAINLESS STEEL	NICKEL PLATING	PLATING THICKNESS: 0.5um Min.
6	TOP CONTACT	12	COPPER ALLOY	NICKEL PLATING	PLATING THICKNESS: 1um Min.
5	BOTTOM CONTACT	12	COPPER ALLOY	NICKEL PLATING	PLATING THICKNESS: 1um Min.
4	SHIELDING PLATE	1	STAINLESS STEEL	NICKEL PLATING	PLATING THICKNESS: 1um Min.
3	LAST 1/M	1	HEAT RESISTING PLASTIC	COLOR: BLACK	HALOGEN-FREE
2	FIRST 1/M	1	GLASS FILLED LCP	COLOR: BLACK	HALOGEN-FREE
1	MAIN SHELL	1	STAINLESS STEEL	NICKEL PLATING	PLATING THICKNESS: 0.05um Min.

ITEM	DESCRIPTION	Q'TY	MATERIAL	FINISH	REMARKS
1	TOP SHELL	1	STAINLESS STEEL	NICKEL PLATING	PLATING THICKNESS: 0.5um Min.
2	TOP CONTACT	12	COPPER ALLOY	NICKEL PLATING	PLATING THICKNESS: 1um Min.
3	BOTTOM CONTACT	12	COPPER ALLOY	NICKEL PLATING	PLATING THICKNESS: 1um Min.
4	SHIELDING PLATE	1	STAINLESS STEEL	NICKEL PLATING	PLATING THICKNESS: 1um Min.
5	LAST 1/M	1	HEAT RESISTING PLASTIC	COLOR: BLACK	HALOGEN-FREE
6	FIRST 1/M	1	GLASS FILLED LCP	COLOR: BLACK	HALOGEN-FREE
7	MAIN SHELL	1	STAINLESS STEEL	NICKEL PLATING	PLATING THICKNESS: 0.05um Min.



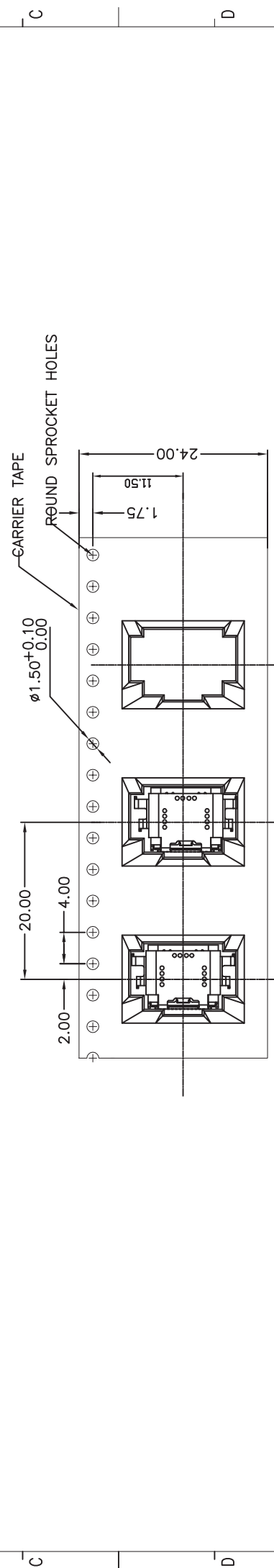
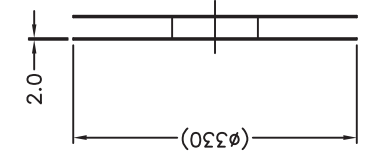
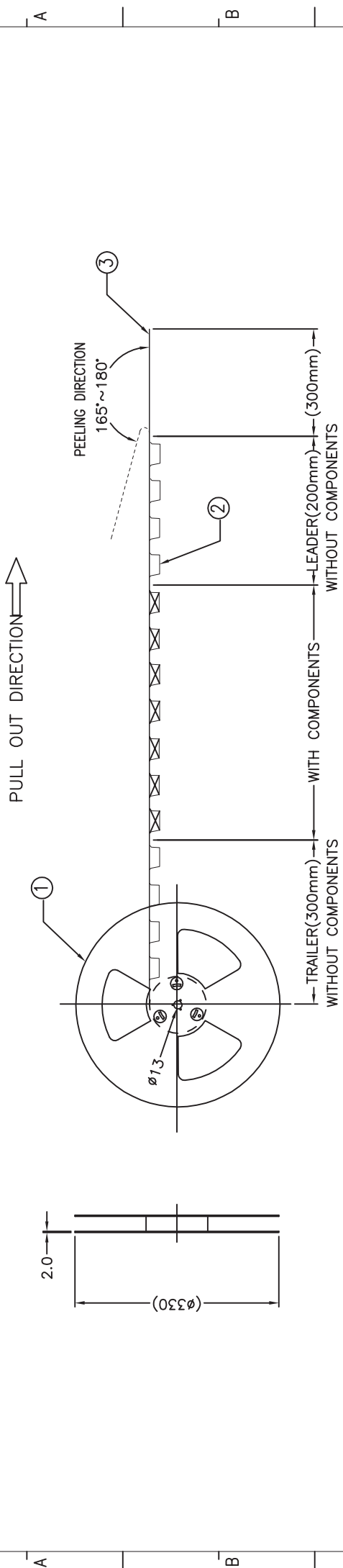
PCB LAYOUT(For Quanta Only)
TOLERANCE: ±0.05mm

X.± 0.30	X.± 5°	UNITS	mm
.X± 0.25	.X± 2°	MAT'L	
.XX± 0.15	.XX± 1°	FINISH	
.XXX±0.10	.XXX±	Q'TY	

THESE DIMENSIONS AND SPECIFICATIONS ARE THE PROPERTY OF FOXCONN INTERCONNECT TECHNOLOGY LIMITED AND SHALL NOT BE REPRODUCED, COPIED OR USED IN ANY MANNER WITHOUT THE PRIOR WRITTEN CONSENT OF FOXCONN INTERCONNECT TECHNOLOGY LIMITED.

NAME (INTENDED USE)	USB TYPE C: DUAL SMT CH=0.9mm
PART NO. (INTENDED USE)	UT12123-1090H-7H
APPD:	Dickie Huang
CHKD:	Bill Her
DRAW:	Hunk Liu 12/03/20

FOXCONN INTERCONNECT TECHNOLOGY LIMITED.	
CLASS:	<input type="checkbox"/> CONFIDENTIAL <input checked="" type="checkbox"/> DSECRET <input checked="" type="checkbox"/> GENERAL
TITLE:	CUSTOMER DRAWING (TYPE-C CHO.9)
DWG NO.:	327-0000-3944
SCALE	1:1
SHEET	2/3
REV.	A



- NOTES:
- 10 POKETS HOLE PITCH CUMULATIVE TOLERANCE: $\pm 0.20\text{mm}$.
 - NUMBER OF CONNECTORS: 800 PCS/REEL, 4000PCS/CARTON.
 - COVER TAPE PEELING STRENGTH: 0.1Kgf MAX. AT 300mm/min.

X.± 0.30	X.± 5'	UNITS	mm	NAME(INTENDED USE)	PACKAGE DRAWING	FOXCONE INTERCONNECT TECHNOLOGY LIMITED.
X.± 0.25	X.± 2'	MAT'L		PART NO.(INTENDED USE)	UT12123-1090H-7H	CLASS: <input type="checkbox"/> CONFIDENTIAL <input type="checkbox"/> SECRET <input checked="" type="checkbox"/> GENERAL
.XX± 0.15	.XX± 1'	FINISH		TITLE:	CUSTOMER DRAWING(TYPE-C CH0.9)	DWG NO.:
.XXX± 0.10	.XXX±	Q'TY		APPD:	Dickie Huang	327-0000-3944
THESE DRAWINGS AND SPECIFICATIONS ARE THE PROPERTY OF FOXCONE INTERCONNECT TECHNOLOGY LIMITED AND SHALL NOT BE REPRODUCED OR USED IN ANY MANNER WITHOUT THE PRIOR WRITTEN CONSENT OF FOXCONE INTERCONNECT TECHNOLOGY LIMITED.				CHKD:	Bill He	SCALE SHEET
				DRAW:	Hunk Liu 12/03'20	1:1
						REV. A

③	COVER TAPE	POLYSTYRENE
②	COVER TAPE	POLYESTER
①	REEL	POLYSTYRENE
ITEM	DESCRIPTION	MATERIAL