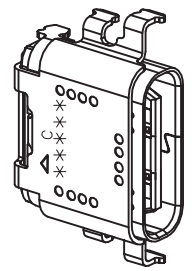
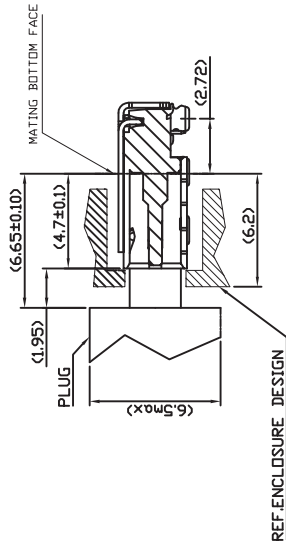
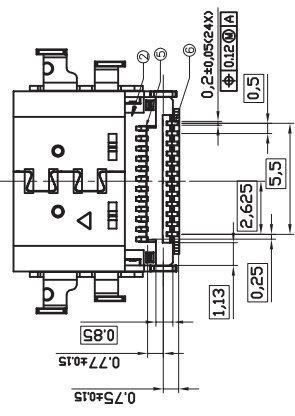
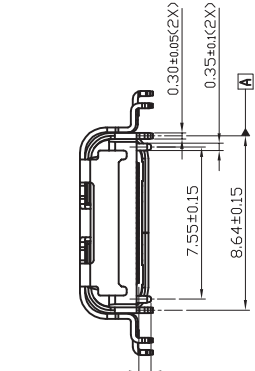
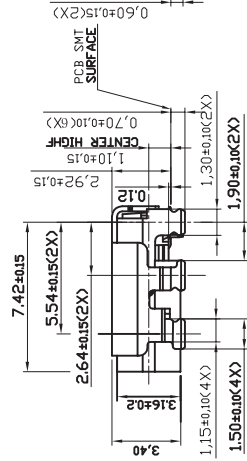
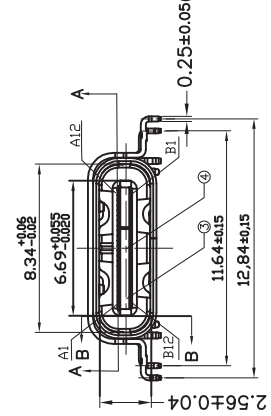
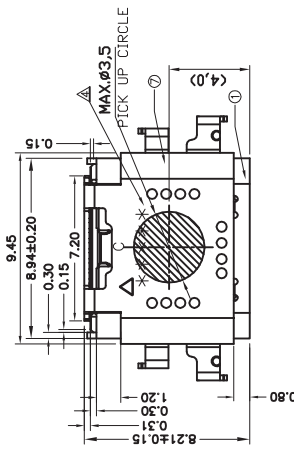


CADS GENERATED DRAWING. DON'T CHANGE BY HAND.



3D MODEL

FINISH		PLATING THICKNESS	
CONTACT ARER	Au OVER NICKEL	NICKEL: 80u" Min. Au: 30u" Min.	
SOLDER TALES	Motte Au OVER NICKEL	NICKEL: 50u" Min. Au: GOLD FLASH 1 U" Min.	

ITEM	DESCRIPTION	Q'TY	MATERIAL	REMARKS
⑦	TOP SHELL	1	STAINLESS STEEL	PLATING THICKNESS: 0.5um Min.
⑥	TOP CONTACT	12	COPPER ALLOY	
⑤	BOTTOM CONTACT	12	COPPER ALLOY	
④	SHIELDING PLATE	1	STAINLESS STEEL	PLATING THICKNESS: 1um Min.
③	LAST 1/M	1	HEAT RESISTING PLASTIC	HALOGEN-FREE
②	FIRST 1/M	1	GLASS FILLED LCP	HALOGEN-FREE
①	MAIN SHELL	1	STAINLESS STEEL	PLATING THICKNESS: 0.05um Min.

MATED CONDITION (REF.)

UNITS	X:±	Y:±	Z:±
mm	0.30	5'	
MAT'L	0.25	2'	
FINISH	0.15	1'	
Q'TY	±0.10	XXX±	

NAME (INTENDED USE)	USB TYPE C DUAL SMT CH=1.1mm
PART NO. (INTENDED USE)	UT12123-1110H-7H
APPD:	Dickie Huang
CHKD:	Bill Her. Phil Zeng
DRAW:	Bond Wang 10/20'20

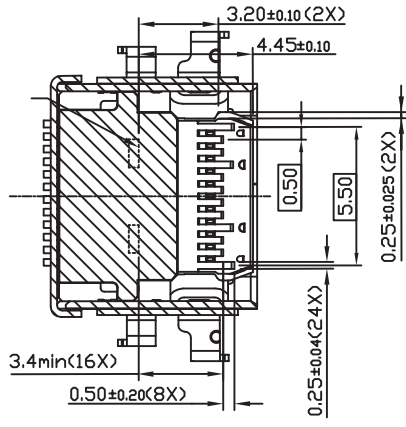
PIN	SIGNAL NAME	PIN	SIGNAL NAME
A12	GND	B1	GND
A11	SSRXp2	B2	SSTXp2
A10	SSRXn2	B3	SSTXn2
A9	VBUS	B4	VBUS
A8	SBU1	B5	CC2
A7	Dn1	B6	Dp2
A6	Dp1	B7	Dn2
A5	CC1	B8	SBU2
A4	VBUS	B9	VBUS
A3	SSTXn1	B10	SSRXn1
A2	SSTXp1	B11	SSRXp1
A1	GND	B12	GND



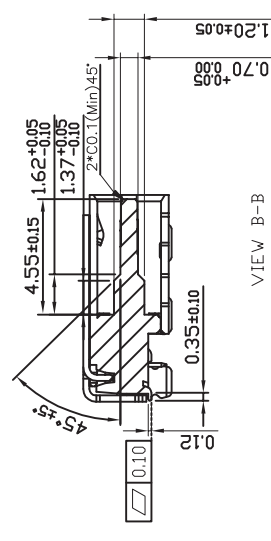
CLASS: [] CONFIDENTIAL [] SECRET [] GENERAL
 TITLE: CUSTOMER DRAWING (TYPE-C CH.10) C2
 DWG NO.: 327-0000-3985
 SCALE: SHEET 1/4 AX3

NOTE: UNLESS OTHERWISE SPECIFIED
 1. DIMENSIONS SHALL BE INTERPRETED PER ASME Y14.5-2009.
 2. ELECTRICAL CHARACTERISTIC:
 2-1. CONTACT CURRENT RATING:
 VBUS AND GND CONTACTS RATED AT 1.25A EA,
 PARALLELED FOR A TOTAL OF 5A.
 2-2. LOW LEVEL CONTACT RESISTANCE:
 40mOhms MAX. FOR VBUS,GND AND OTHER CONTACTS.
 50mOhms MAX. AFTER ENVIRONMENT TEST.
 3. MECHANICAL CHARACTERISTICS:
 3-1. INSERTION FORCE: 5~20N.
 3-2. EXTRACTION FORCE: 8~20N,AFTER 10000 MATING:6~20N.
 3-3. DURABILITY: 10,000 MATING CYCLES.
 3-4. OPERATING TEMPERATURE: -55°C TO +85°C.
 3-5. CAN MEET USB 2.0 + POWER DELIVERY
 ⚠ THE DATE CODE IS LOCATED APPROXIMATELY AS SHOWN.
 5. THE CONCENTRATION OF Br & Cl SATISFY THE
 REQUIREMENTS OF Halogen-Free IN DOCUMENT EPI12.
 6. PRODUCT NO. MATRIX :

UT: USB TYPE C CONN. - 1 1 1 0 H - 7 H
 CONTACT DESIGN
 1: RECEPTACLE
 2: RIGHT ANGLE,SMT
 POSITIONS
 1: 24POS
 CONFIGURATION
 2: SINGLE, MID-MOUNT
 CONTACT AREA PLATING
 3: 30u" GOLD
 1: GOLD FLASH
 RoHS & HF CODE
 H : HALOGEN FREE
 PACKAGE CODE:
 7: TAPE & REEL
 EXTENSION CODE
 CENTER HEIGHT
 HOUSING COLOR
 1: BLACK

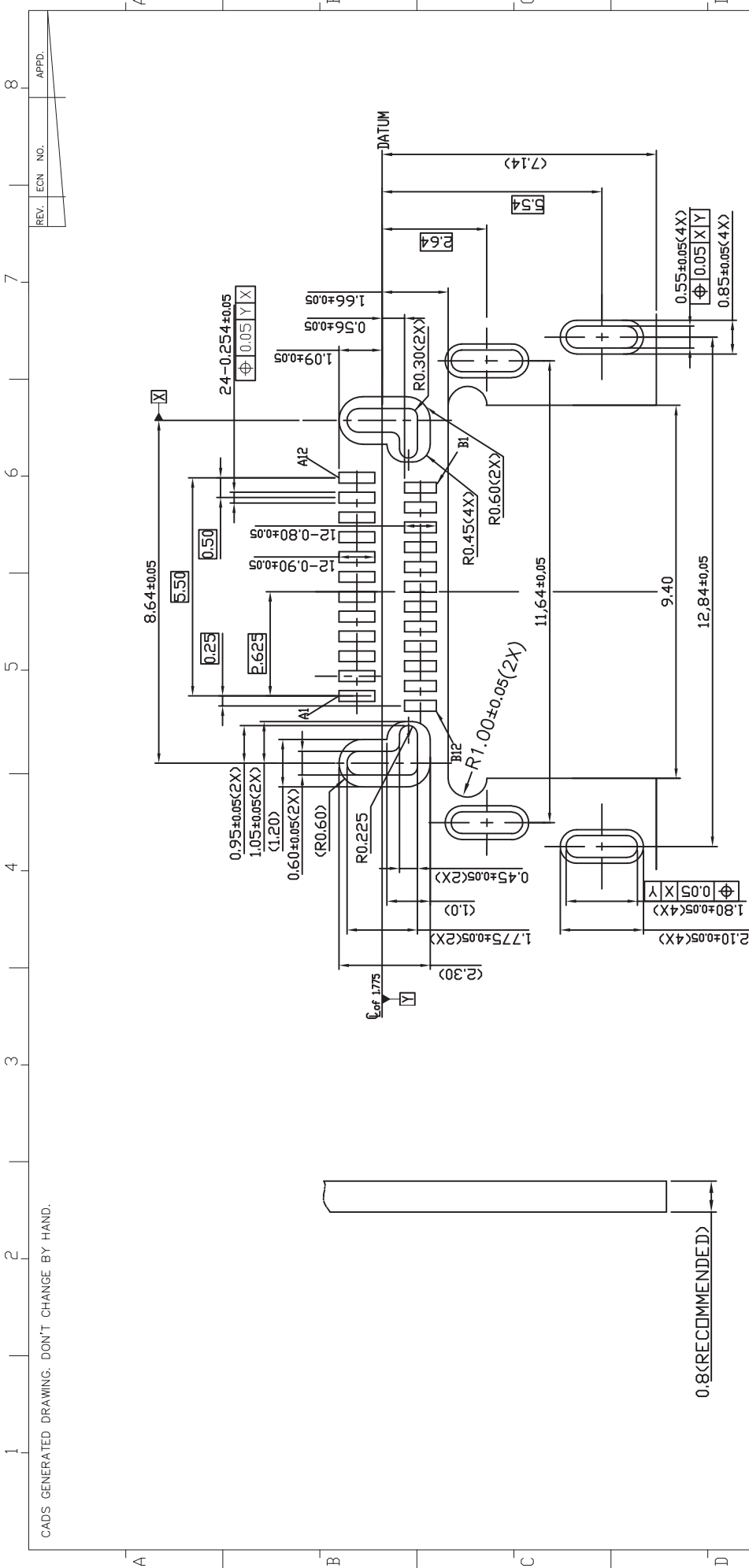


VIEW A-A
SCALE 1:1




VIEW B-B
SCALE 1:1

		NAME(INTENDED USE) USB TYPE C;DUAL SMT CH=1.10mm	
CLASS: <input type="checkbox"/> CONFIDENTIAL <input type="checkbox"/> SECRET <input checked="" type="checkbox"/> GENERAL		PART NO.(INTENDED USE) UT12123-1110H-7H	
TITLE: CUSTOMER DRAWING(TYPE-C CH1.10) C2		APPD: Dickie Huang	
DWG NO.: 327-0000-3985		CHKD: Bill Her. Phil Zeng	
		DRAW: Bond Wang 10/20/20	
UNITS mm		Q'TY	
X.± 0.30	X.± 5'	THESE DRAWINGS AND SPECIFICATIONS ARE THE PROPERTY OF FOXCONN INTERCONNECT TECHNOLOGY LIMITED AND SHALL NOT BE REPRODUCED, COPIED OR USED IN ANY MANNER WITHOUT THE PRIOR WRITTEN CONSENT OF FOXCONN INTERCONNECT TECHNOLOGY LIMITED.	
X.± 0.25	.X± 2'	FINISH	
.XX± 0.15	.XX± 1'	SCALE	
.XXX±0.10	.XXX±	SHEET	
1:1		REV.	
2/4		AX3	

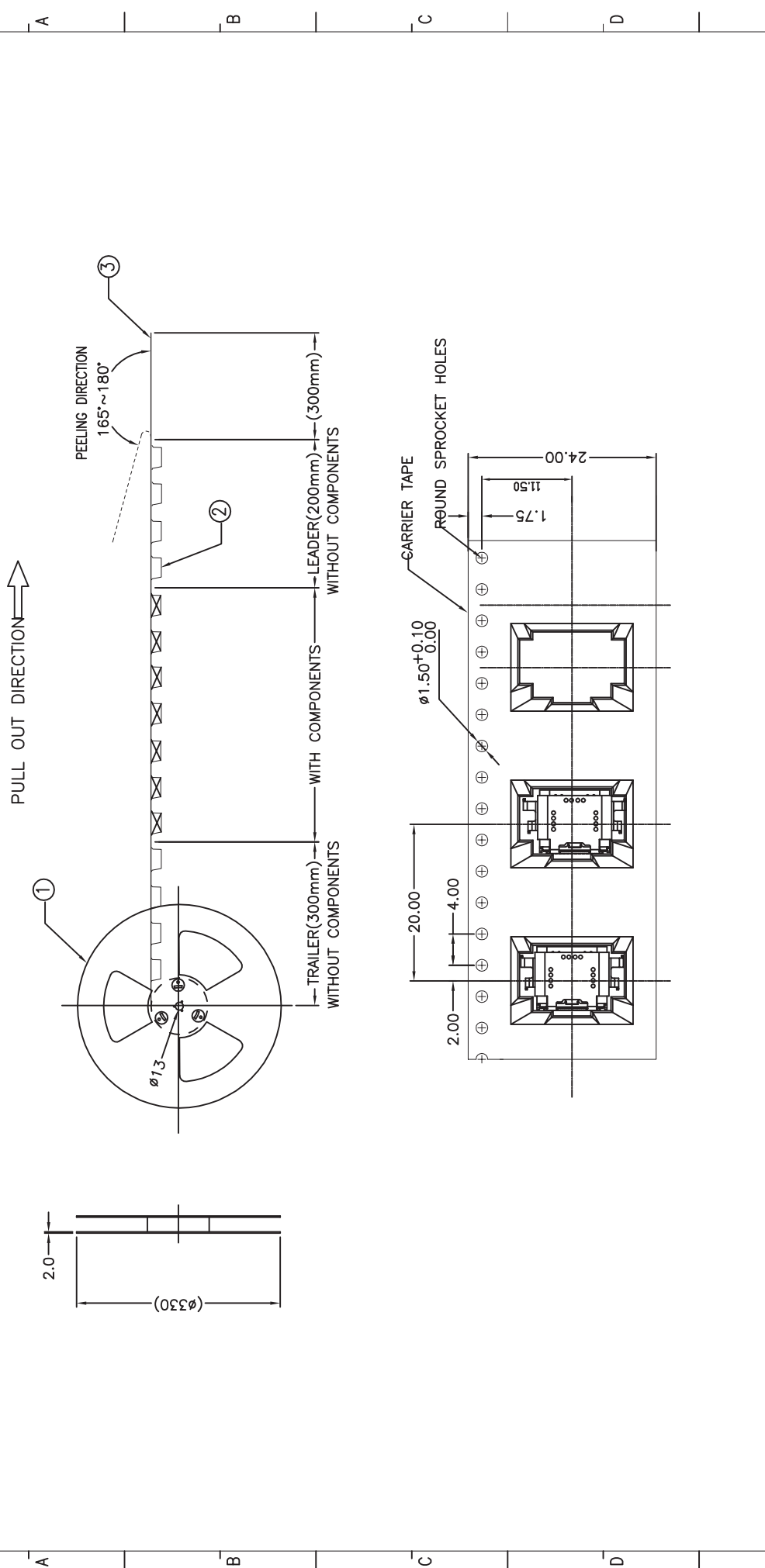


RECOMMENDED PCB LAYOUT
TOLERANCE: ±0.05mm

REV.	ECN NO.	APPD.

 FOXCONN INTERCONNECT TECHNOLOGY LIMITED.		NAME (INTENDED USE) USB TYPE C: DUAL SMT CH=1.10mm
CLASS: <input type="checkbox"/> CONFIDENTIAL <input type="checkbox"/> SECRET <input checked="" type="checkbox"/> GENERAL	TITLE: CUSTOMER DRAWING (TYPE-C CH.10) C2	PART NO. (INTENDED USE) UT12123-1110H-7H
DWG NO.: 327-0000-3985	APPD.: Dickie Huang	FINISH
CHKD.: Bill Her. Phil Zeng	QTY	UNITS mm
DRAW: Bond Wang 10/20/20	SCALE 1:1	MAT'L
SHEET 3/4	REV. AX3	X ± 0.30 .X ± 0.25 .XX ± 0.15 .XXX ± 0.10 .XXX ± <small>THESE DIMENSIONS AND SPECIFICATIONS ARE THE PROPERTY OF FOXCONN INTERCONNECT TECHNOLOGY LIMITED AND SHALL NOT BE REPRODUCED, COPIED OR USED IN ANY MANNER WITHOUT THE PRIOR WRITTEN CONSENT OF FOXCONN INTERCONNECT TECHNOLOGY LIMITED.</small>

CADS GENERATED DRAWING. DON'T CHANGE BY HAND.



- NOTES:
1. 10 POCKETS HOLE PITCH CUMULATIVE TOLERANCE: $\pm 0.20\text{mm}$.
 2. NUMBER OF CONNECTORS: 700 PCS/REEL, 3500PCS/CARTON.
 3. COVER TAPE PEELING STRENGTH: 0.1Kg MAX. AT 300mm/min.

 FOXCONN INTERCONNECT TECHNOLOGY LIMITED.		NAME (INTENDED USE) PACKAGE DRAWING		UNITS mm		X.± 0.30 X.± 0.25 .XX± 0.15 .XXX± 0.10		X.± 5' .X'± 2' .XX'± 1' .XXX'±		QTY		PART NO. (INTENDED USE) UT12123-1110H-7H		CLASS: <input type="checkbox"/> CONFIDENTIAL <input type="checkbox"/> SECRET <input checked="" type="checkbox"/> GENERAL	
TITLE: CUSTOMER DRAWING (TYPE-C CH.10) C2		APPD: Dickie Huang		FINISH		THESE DRAWINGS AND SPECIFICATIONS ARE THE PROPERTY OF FOXCONN INTERCONNECT TECHNOLOGY LIMITED. NO PARTS MAY BE REPRODUCED, COPIED OR USED IN ANY MANNER WITHOUT THE PRIOR WRITTEN CONSENT OF FOXCONN INTERCONNECT TECHNOLOGY LIMITED.		DWG NO.: 327-0000-3985		SCALE SHEET REV. 1:1 4/4 AX3		FOXCONN INTERCONNECT TECHNOLOGY LIMITED.		CLASS:	
DRAW: Bond Wang 10/20'20		CHKD: Bill Her. Phil Zeng		QTY		.XXX± 0.10		.XXX'±		APPD: Dickie Huang		DWG NO.: 327-0000-3985		CLASS:	
DRAW: Bond Wang 10/20'20		CHKD: Bill Her. Phil Zeng		QTY		.XXX± 0.10		.XXX'±		APPD: Dickie Huang		DWG NO.: 327-0000-3985		CLASS:	
DRAW: Bond Wang 10/20'20		CHKD: Bill Her. Phil Zeng		QTY		.XXX± 0.10		.XXX'±		APPD: Dickie Huang		DWG NO.: 327-0000-3985		CLASS:	

③	COVER TAPE	POLYSTYRENE
②	COVER TAPE	POLYESTER
①	REEL	POLYSTYRENE
ITEM	DESCRIPTION	MATERIAL