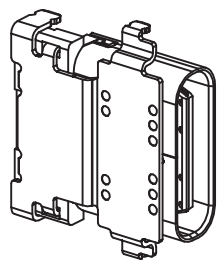
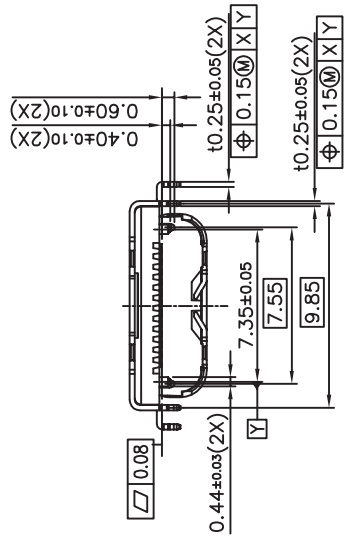
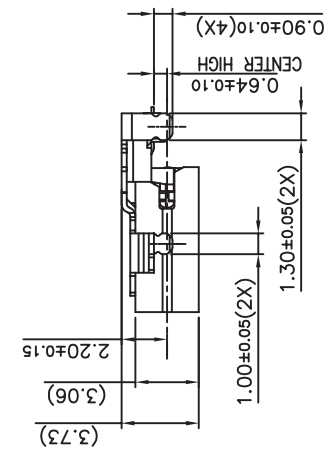
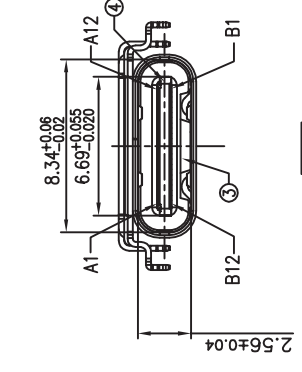
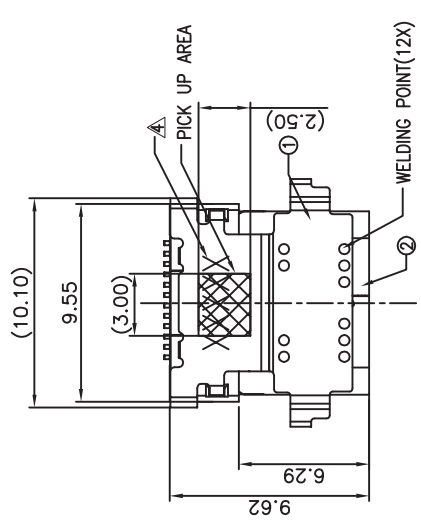


REV.	ECN. NO.	APPD.
X2	****	Nick Lin

- NOTE: UNLESS OTHERWISE SPECIFIED  
 1. DIMENSIONS SHALL BE INTERPRETED PER ASME Y14.5-2009.  
 2. ELECTRICAL CHARACTERISTIC:  
 2-1. CONTACT CURRENT RATING: 5A, PARALLELED FOR A TOTAL OF 5A.  
 2-2. LOW LEVEL CONTACT RESISTANCE: 40mOhms MAX. FOR VBUS, GND AND OTHER CONTACTS. 50mOhms MAX. AFTER ENVIRONMENT TEST.  
 3. MECHANICAL CHARACTERISTICS:  
 3-1. INSERTION FORCE: 5~20N  
 3-2. EXTRACTION FORCE: 8~20N(AFTER 10000 MATING:6~20N  
 3-3. DURABILITY: 10,000 MATING CYCLES.  
 3-4. OPERATING TEMPERATURE: -55°C TO +85°C.  
 3-5. CAN MEET USB 4.0 GEN3 & TB4 + POWER DELIVERY  
 ▲ THE DATE CODE IS LOCATED APPROXIMATELY AS SHOWN.  
 5. THE CONCENTRATION OF Br & Cl SATISFY THE REQUIREMENTS OF Halogen-Free in DOCUMENT EPI12.  
 6. PLEASE CONTACT FOXCONN SALES REPRESENTATIVE TO VERIFY PRODUCT DETAILS & AVAILABILITY.

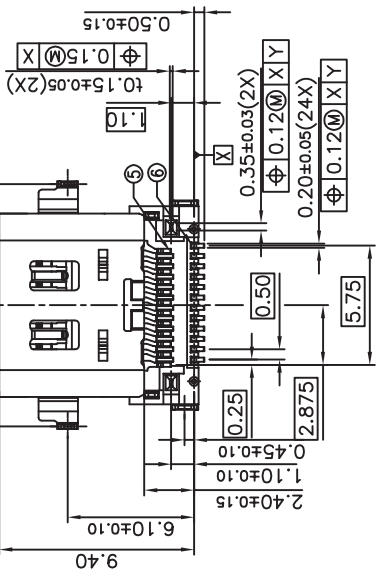
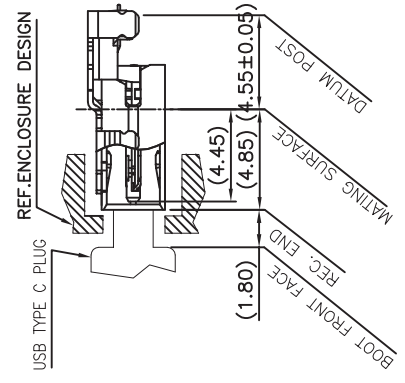


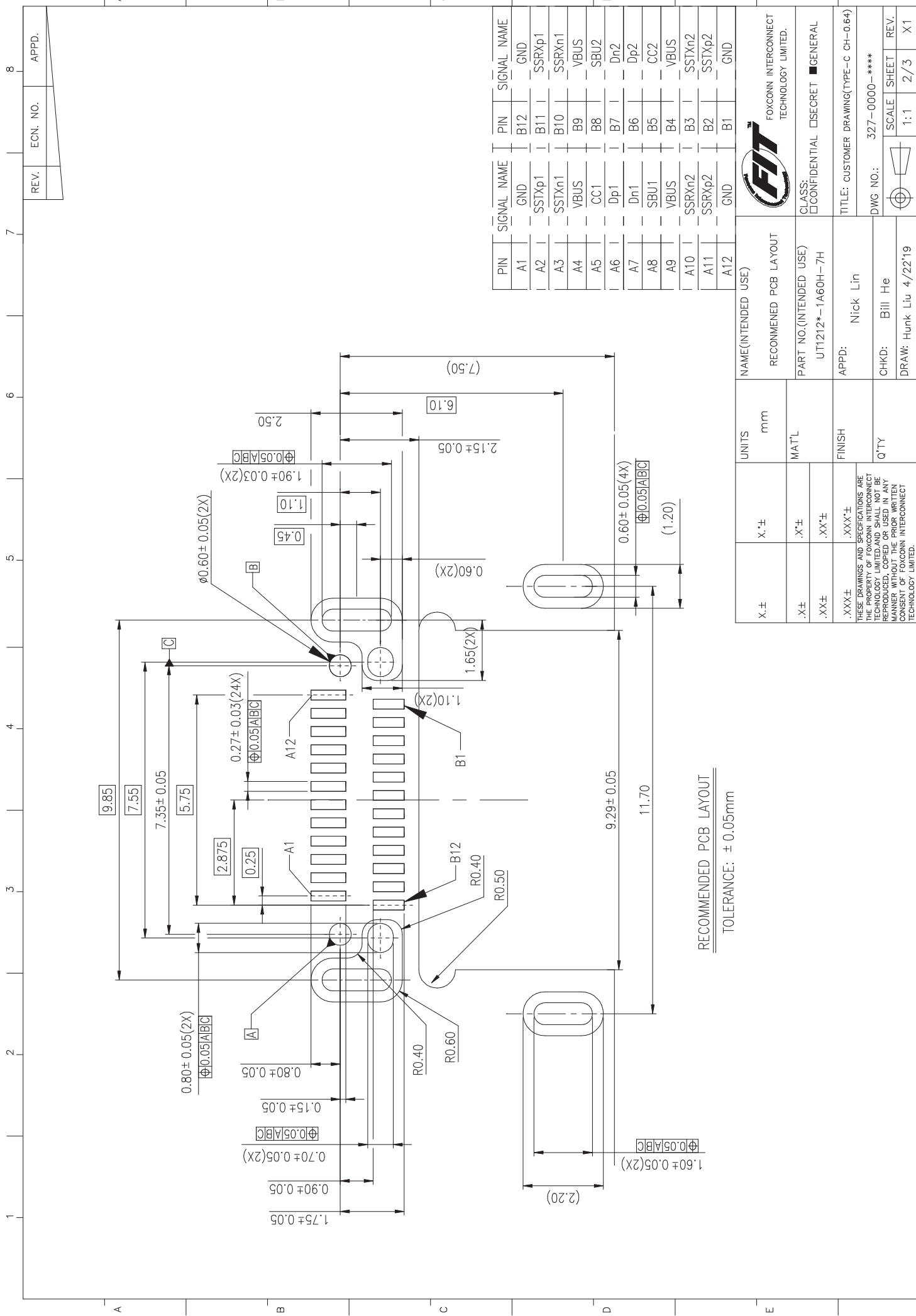
7. PRODUCT NO. MATRIX :  
 UT 1 2 1 2 \* - 1 A6 0 H - 7 H  
 UT: USB TYPE C CONN. CONTACT DESIGN  
 1: RECEPTACLE  
 2: RIGHT ANGLE, DUAL SMT  
 POSITIONS  
 1: 2APOS  
 CONFIGURATION  
 2: SINGLE, MID-MOUNT  
 CONTACT AREA PLATING  
 1: 15u GOLD  
 2: 30u GOLD  
 3: 30u GOLD  
 1: GOLD FLASH  
 HOUSING COLOR  
 1: BLACK  
 CENTER HEIGHT  
 C: NORMAL  
 EXTENSION CODE  
 7: TAPE & REEL  
 PACKAGE CODE:  
 H : HALOGEN FREE  
 RoHS & HF CODE

MATERIALS AND PLATING (UNIT:MICRO-INCHES)

⑥	TOP CONTACT	12	C7025	80u" MIN NICKEL PLATING OVER ALL 1u" MIN Au PLATING ON SOLDER AREA
⑤	BOTTOM CONTACT	12	C7025	Gold flash/15u" MIN/30u" MIN Au PLATING ON CONTACT AREA
④	SHIELDING PLATE	1	SUS301	50u" MIN NICKEL PLATING OVER ALL
③	HOUSING	1	LCP	N/A
②	MAIN SHELL	1	SUS304	N/A
①	TOP SHELL	1	SUS304	50u" MIN NICKEL PLATING OVER ALL
	ITEM	DESCRIPTION	Q'TY	MATERIAL

UNITS		mm
X± 0.30	X'± 5'	
MATT'L		
.X± 0.25	.X'± 2'	
.XX± 0.15	.XX'± 1'	
.XXX± 0.10	.XXX'±	
THESE DRAWINGS AND SPECIFICATIONS ARE THE PROPERTY OF FOXCONN INTERCONNECT TECHNOLOGY LIMITED. ANY REPRODUCTION, COPIED OR USED IN ANY MANNER WITHOUT THE PRIOR WRITTEN CONSENT OF FOXCONN INTERCONNECT TECHNOLOGY LIMITED.		
NAME(INTENDED USE)		USB REC. ASSEMBLY DRAWING
PART NO.(INTENDED USE)		UT1212*-1A60H-7H
APPD:		Nick Lin
CHKD:		Bill He
DRAW:		Joy Song 8/28'20
TITLE:		CUSTOMER DRAWING(CH -0.64)
DWG NO.:		327-0000-****
SCALE		1:1
SHEET		1/3
REV.		X2

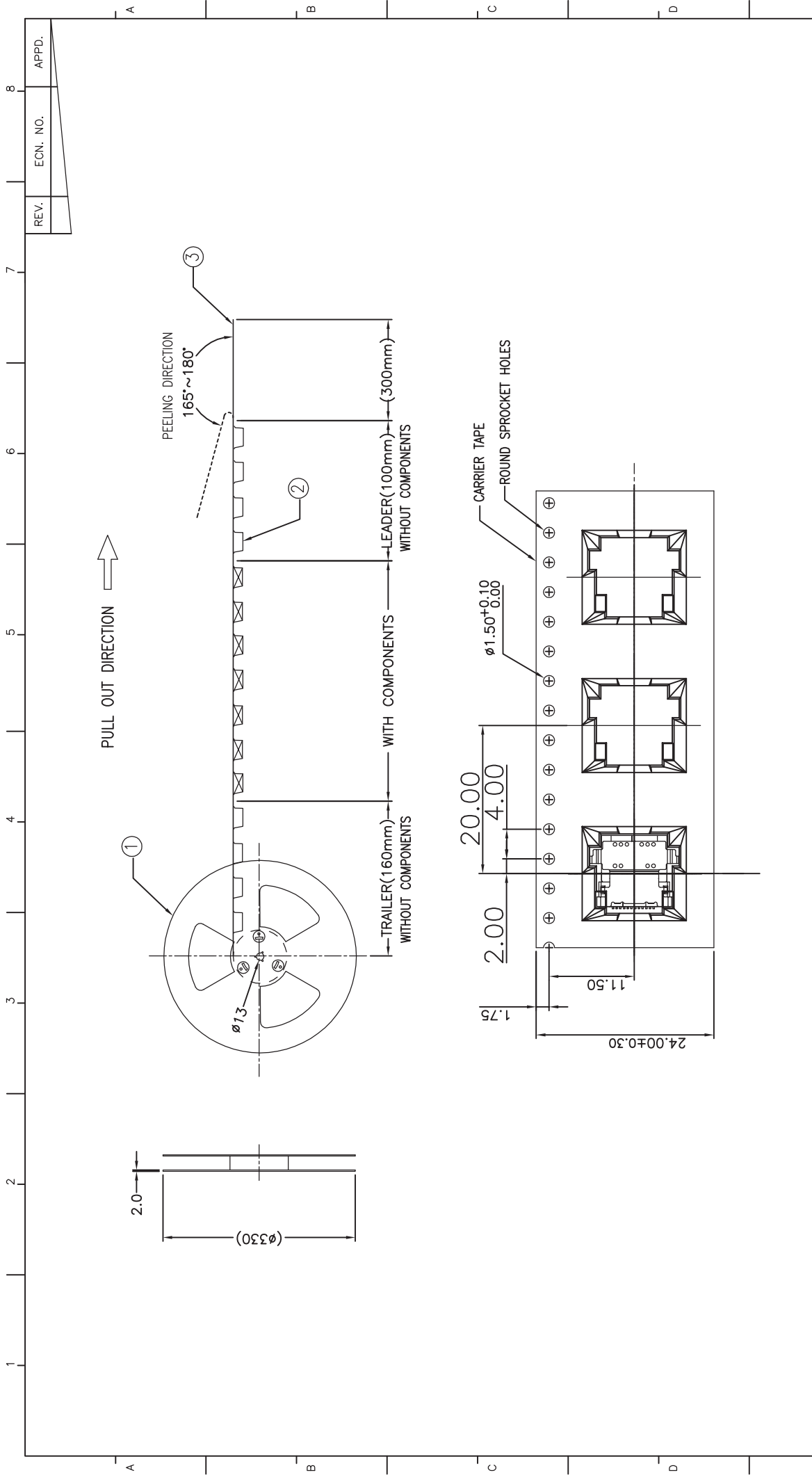




RECOMMENDED PCB LAYOUT  
TOLERANCE: ± 0.05mm

NAME (INTENDED USE)	UNITS	X: ±	Y: ±	Z: ±	FINISH	QTY
RECOMMENDED PCB LAYOUT	mm					
PART NO. (INTENDED USE)	MAT'L	.X ±				
UT1212*-1A60H-7H		.XX ±				
APPD: Nick Lin		.XXX ±				
CHKD: Bill He		THESE DRAWINGS AND SPECIFICATIONS ARE THE PROPERTY OF FOXCONN INTERCONNECT TECHNOLOGY LIMITED AND SHALL NOT BE REPRODUCED, COPIED OR USED IN ANY MANNER WITHOUT THE PRIOR WRITTEN CONSENT OF FOXCONN INTERCONNECT TECHNOLOGY LIMITED.				
DRAW: Hunk Liu 4/22/19						

CLASS:	TITLE:	DWG NO.:	SCALE:	SHEET:	REV.
CONFIDENTIAL	CUSTOMER DRAWING (TYPE-C CH-0.64)	327-0000-****	1:1	2/3	X1
GENERAL					



NOTES:

1. 10 POCKETS HOLE PITCH CUMULATIVE TOLERANCE: ±0.20mm.
2. NUMBER OF CONNECTORS: 800 PCS/REEL, 4000PCS/CARTON.
3. COVER TAPE PEELING STRENGTH: 0.1Kgf MAX. AT 300mm/min.

③	COVER TAPE	POLYSTYRENE
②	COVER TAPE	POLYESTER
①	REEL	POLYSTYRENE
ITEM	DESCRIPTION	MATERIAL

X.± 0.30	X.± 5'	mm	NAME(INTENDED USE)	PACKAGE DRAWING
	.X± 0.25			
.XX± 0.15	.XX± 1'	MAT'L	PART NO.(INTENDED USE)	UT1212*-1A60H-7H
.XXX± 0.10	.XXX±	FINISH	APPD:	Nick Lin
<small>THESE DRAWINGS AND SPECIFICATIONS ARE THE PROPERTY OF FOXCONN INTERCONNECT TECHNOLOGY LIMITED AND SHALL NOT BE REPRODUCED, COPIED OR USED IN ANY MANNER WITHOUT THE PRIOR WRITTEN CONSENT OF FOXCONN INTERCONNECT TECHNOLOGY LIMITED.</small>			CHKD:	Bill He
			DRAW:	Joy Song 8/28/20

		FOXCONN INTERCONNECT TECHNOLOGY LIMITED.	
CLASS:	CONFIDENTIAL	SECRET	GENERAL
TITLE:	CUSTOMER DRAWING(TYPE-C GH -0.64)		
DWG NO.:	327-0000-****		
SCALE	SHEET	REV.	
2:1	3/3	X2	

REV.	ECN. NO.	APPD.